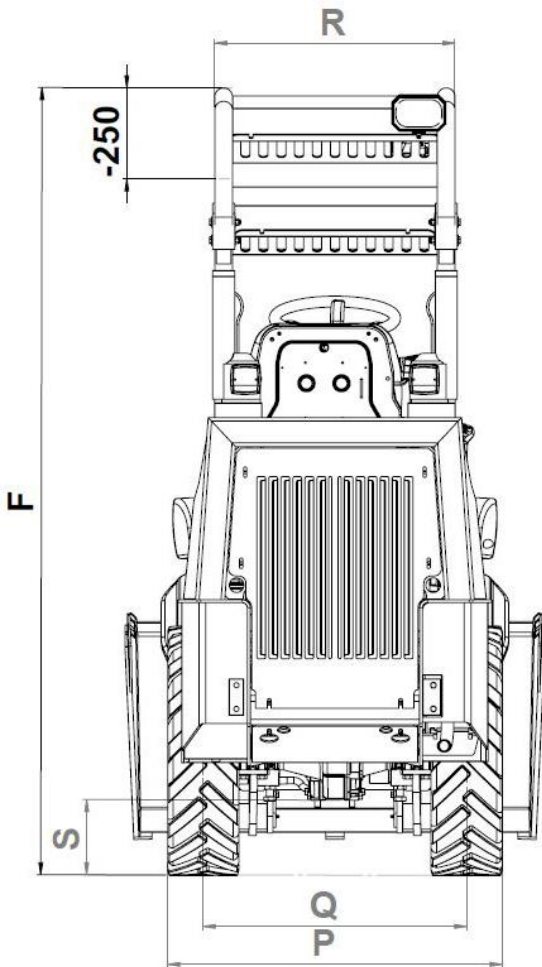
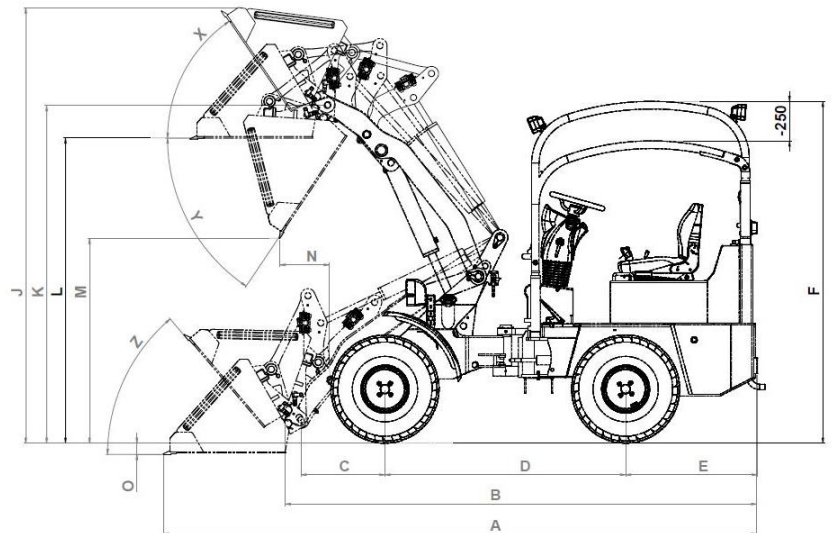
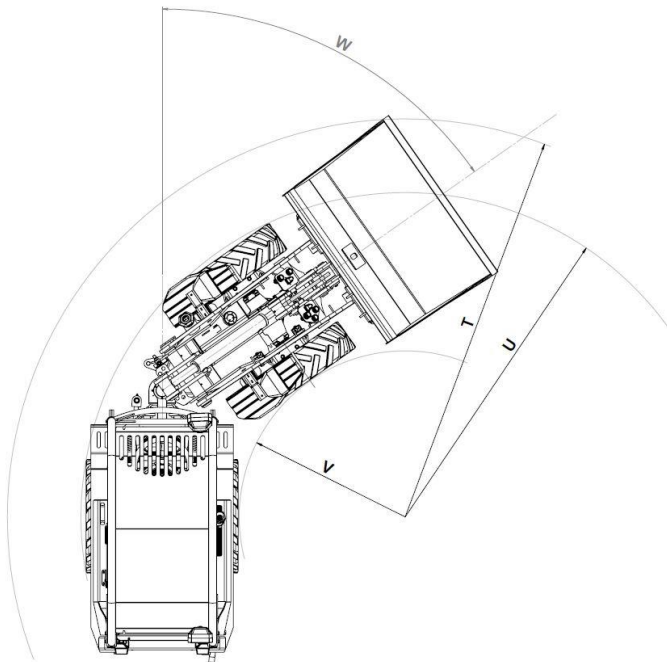


# Datasheet 2320 L



		2320L
	Lifting capacities (shovel)	1500 kg
	Tipping loads – shovel*	
	Machine in straight line*	1200 kg
	Machine articulated position (45°)*	900 kg
	Tipping loads palet fork (50cm)*	
	Machine in straight line*	1100 kg
	Machine articulated position (45°)*	600 kg
A	Total length with shovel	3750 mm
B	Total length without shovel	2990 mm
C	Axle middle to shovel pivot pin	530 mm
D	Wheelbase	1523 mm
E	Rear overhang	830 mm
F	Height over Rops-Fops protection cage	2160 mm
J	Total working height	2760 mm
K	Height of the shovel pivot pin	2150 mm
L	Load-over height	1940 mm
M	Dumping height	1320 mm
N	Operating distance for M	340 mm
O	Digging depth	70 mm
P	Total width Standard tires	920 mm
Q	Track width	722 mm
R	Width over Protective roof	660 mm
S	Ground clearance	205 mm
T	Maximum radius (external)	2400 mm
U	Radius over outer edge	1955 mm
V	Inside turning radius	1000 mm
W	Angle of articulation	55°
X	Rollback angle at max. lifting height	55°
Y	Dumping angle (maxi.)	53°
Z	Rollback angle on ground	50°
	Volume Hydraulic oil tank	36l
	Volume Diesel tank	28l
	Weight on front axle	400 kg
	Weight on rear axle	960 kg
	Empty weight	1360 kg
	Operating weight	1560 kg



Data without additional cast weight  
Measures with standard tires

Measurements, non-contractual, subject to change depending on tires and attachments.

All information are subject to change due to R&D.